

Date

Name

Company

Address

City State Zip Code

Country

Email

Please provide a description of the application.

Provide a description of the load.

How will the lift be loaded and unloaded?

Is the lift going in or in front of a dock?

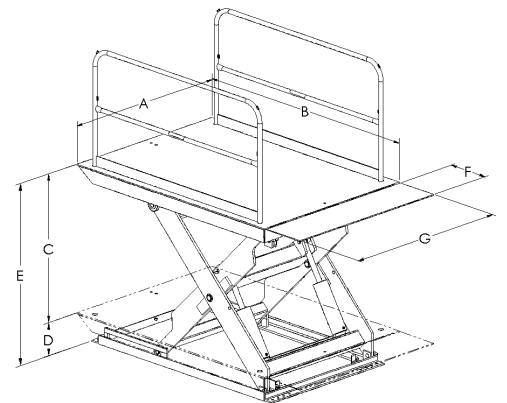
How many units are required?

What are the travel requirements?

What is the total weight of the load including carrier?

What is the axle load? lbs. each side lbs. each end

Platform Dimensions		Travel Requirements		Throw-over Bridge	
Width (A):	<input type="text"/>	Vertical Travel (C):	<input type="text"/>	Length (F):	<input type="text"/>
Length (B):	<input type="text"/>	Lowered Height (D):	<input type="text"/>	Width (G):	<input type="text"/>
		Raised Height (E):	<input type="text"/>		



How will the lift be mounted?

What power is available to operate the lift?

What type of controls are required?

What type of control enclosure?